



Sizes: 1/2", 3/4", 1", 1-1/4", 1-1/2", 2" & 2-1/2"

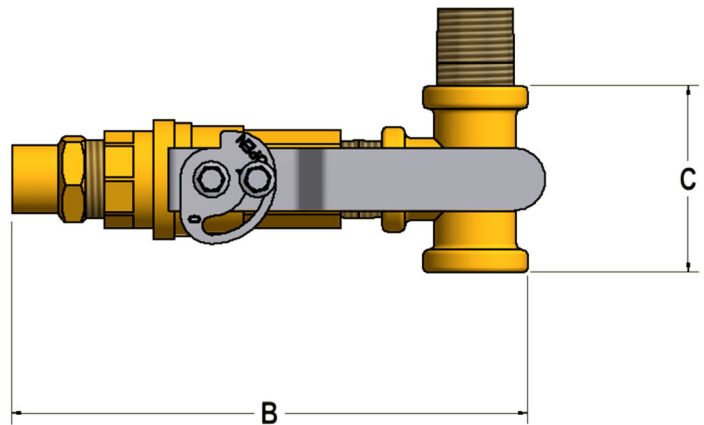
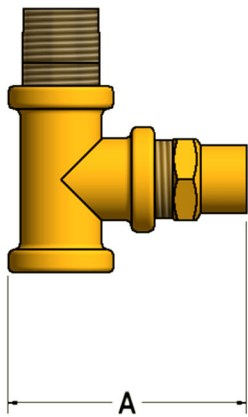
Type: Bypass Kit

Specifications:

- Inlet Connection: FNPT
- Outlet Connection: MNPT
- Bypass Connections: FSWT
- Maximum Working Pressure: 600 PSI
- Working Temperature Range: -4°F –230°F
- Handle: Lever
- Thread Fittings NPT per ASME/ANSI B1.20. and B31.9

Material Specifications	
Valve Body	Brass
Tee	Brass
Adapter	Brass
Nipple	Brass

Dimensions*			
SIZE (in)	A	B	C
1/2	2.6	5.6	2.0
3/4	3.1	6.5	2.4
1	3.9	7.8	2.9
1-1/4	4.5	8.4	3.4
1-1/2	5.1	9.6	3.7
2	5.7	10.7	4.2
2-1/2	7.2	12.4	5.5



* Dimensions listed are approximate. Various connections types can change the lay lengths. Consult factory for more detail.

COMP-SPEC-BYPASSKIT