



Sizes: 1/2", 3/4", 1", 1-1/4", 1-1/2" & 2"

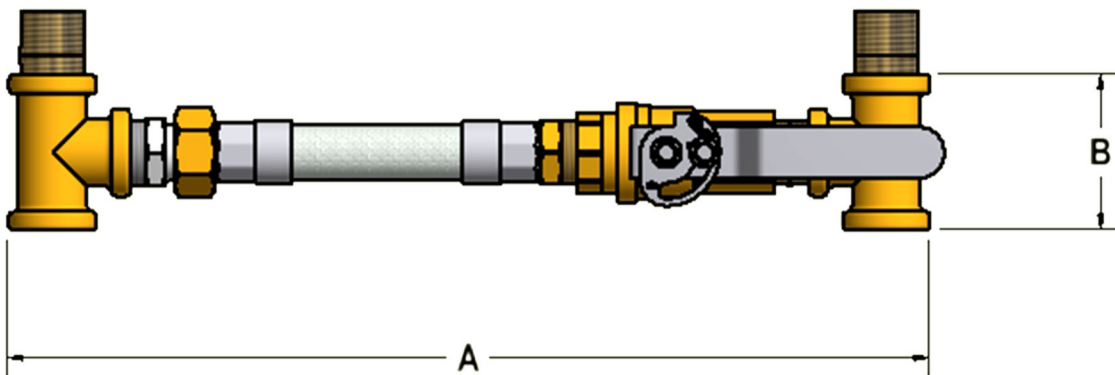
Type: Flex Bypass Kit

Specifications:

- Inlet Connection: FNPT
- Outlet Connection: MNPT
- Hose: Flexible SS Braided
- Maximum Working Pressure: 400 PSI
- Working Temperature Range: -4°F – 230°F
- Handle: Lever
- Thread Fittings NPT per ASME/ANSI B1.20. and B31.9

Material Specifications	
Valve Body	Brass
Tee	Brass
Hose	SS Braided/EPDM Liner (1/2"-1") SS Braided/SS Corrugated Liner (1-1/2"-2")
Nipple	Brass

Dimensions*		
SIZE (in)	A	B
1/2	18.2	2.0
3/4	19.2	2.4
1	21.6	2.9
1-1/4	23.0	3.4
1-1/2	24.7	3.7
2	27.2	4.2



* Dimensions listed are approximate. Various connections types can change the lay lengths. Consult factory for more detail.