

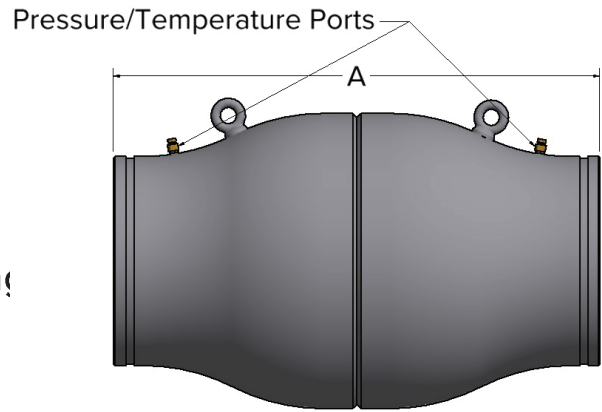


Model: Mesurflo® 2548

Sizes: 6", 8" and 10"

GPM: 250—2500

Type: Grooved Automatic Balancing



Flow Direction →

Standard Features:

- Welded Connections
- 25.0 GPM Increments
- Differential Operating Pressure 5 - 80 PSID
- ± 10% Accuracy
- Operating Temperature Range 32°F to 225°F
- 1/4" Pressure/Temperature Ports
- Valves Labeled with Model Number, Size and Flow Rate
- Valve Body Suitable for 400 PSIG
- Length Changes as Flow Rates are Increased
- Hooks Attached for Ease of Handling for Installation Placement

Options:

- Stainless Steel Tag-Chain Upon Request

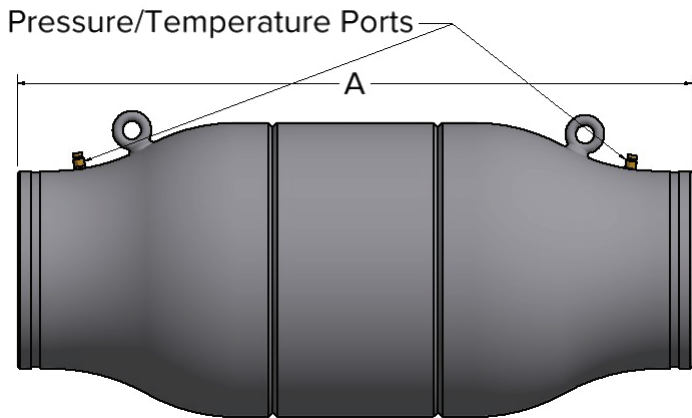
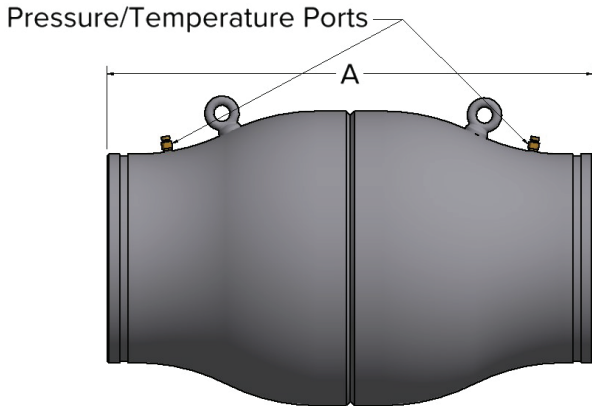
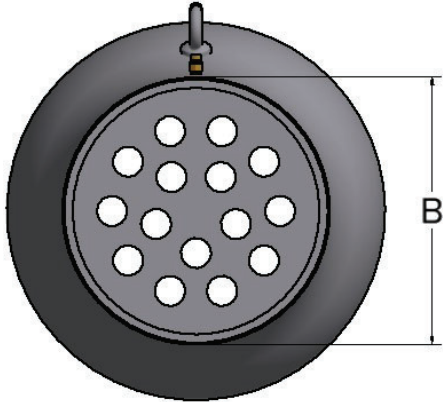
Material Specifications	
Valve Body	Carbon Steel
Groove	Carbon Steel
Ext. Pressure/ Temperature Ports	Brass
Adapter Plate	Carbon Steel
Retainer Cage	Stainless Steel
Diaphragm	EPDM
Orifice	Polyphenylsulfone
Orifice Holder	Brass
Clip	Stainless Steel



Model: Mesurflo® 2548

Sizes: 6", 8" and 10"

Type: Grooved Automatic Balancing Valve



DIMENSIONS VARY WITH GPM SELECTION		
Connection Size (in.) / Flange Size (in.)	Valve Length (in.) Appx.	GPM
6/11	14.0	250.0 - 625.0
	18.0	650.0 - 875.0
	20.0	900.0
8/13	18.0	600.0 - 800.0
	20.0	825.0 - 1,100.0
	24.0	1,125.0 - 1,400.0
10/16	24.0	1,425.0 - 1,600.0
	28.0	1,000.0 - 1,875.0
	32.0	1,900.0 - 2,250.0
	34.0	2,275.0 - 2,500.0